



OPERATION MANUAL



**PORTABLE SPEAKER
SYSTEM**

X-751

Congratulations on your purchase of the REAL-EL speaker system!

COPYRIGHT

© 2022. ENEL GROUP OU.

This Manual and information contained in are copyrighted. All rights reserved.

TRADEMARKS

All trademarks are the property of their legal holders.

CONTENTS

1. BUYER RECOMMENDATIONS	1
2. PACKAGE CONTENTS	1
3. SAFETY PRECAUTIONS	2
4. TECHNICAL DESCRIPTION	2
5. CONNECTION AND OPERATION	3
6. TECHNICAL SPECIFICATIONS	5

1. BUYER RECOMMENDATIONS

- Unpack the device carefully. Make sure there are no accessories left in the box. Check up the device for damage; if the product was damaged during transportation, address the firm, which carried out the delivery; if the product functions incorrectly, address the dealer at once.
- Check up the package contents and availability of the warranty card. Make sure the warranty card has a shop stamp, a legible signature or the seller's stamp and purchase date, and the goods number corresponds to that in the warranty card. Remember: in case of warranty card loss or discrepancy of numbers you forfeit the right for warranty repairs.
- Do not switch on the speaker system immediately after you bring it into a room from environment with negative temperature! After unpacking, the speaker system should be kept in conditions of room temperature for at least 4 hours.
- Before installing and using the speaker system, read this Manual carefully and keep it for future reference.

2. PACKAGE CONTENTS

Portable Speaker System — 1 pc
 3.5 mm mini-jack to 3.5 mm mini-jack signal cable — 1 pc
 USB to Micro USB power cable — 1 pc
 Belt — 1 pc
 User manual — 1 pc
 Warranty card — 1 pc

3. SAFETY PRECAUTIONS





- Do not open the portable speaker system (PSS) and do not perform repairs by yourself. Service and repairs should be performed only by qualified specialists at authorized service centers. The list of authorized service centers is on www.real-el.com
- Make sure that foreign objects do not get inside the holes of the PSS.
- Protect the PSS from high humidity, water and dust.
- Protect the PSS from heating: do not place it closer than 1 m from a heat source. Do not expose it to direct sunlight.
- Do not use any chemical agents for cleaning. Clean it with dry soft cloth only.
- In case of PSS does not work properly. Please contact place of purchase or service center.

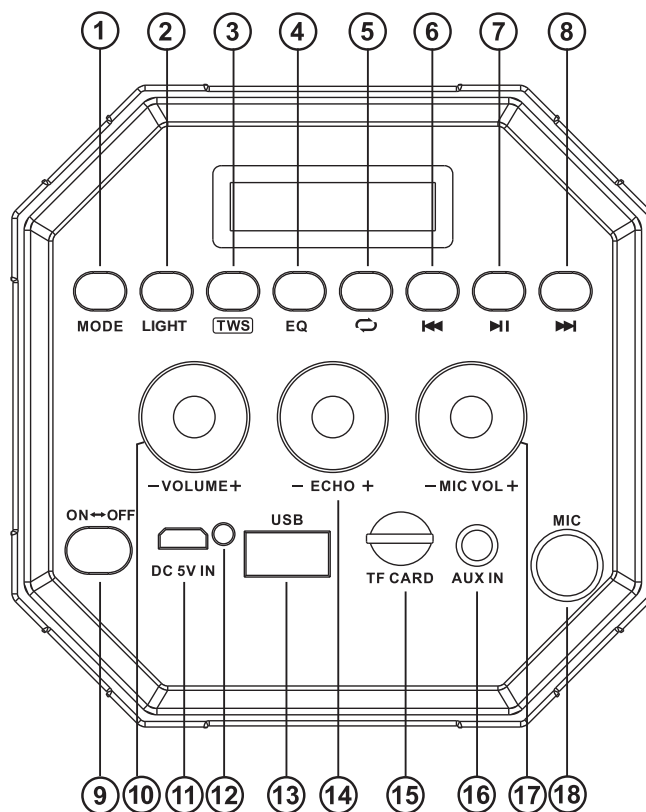
Special features

- TWS function. Connect two speakers together
- Playback via Bluetooth
- USB, Micro SD (TF)
- AUX connection for use with PC, TV and other sources
- Equalizer for adjusting the level of high and low frequencies
- RGB Backlight
- Extended battery life
- Microphone input with echo function
- LED display

4. TECHNICAL DESCRIPTION

Control panel

- ① MODE: Bluetooth/USB/Micro SD/AUX;
ON/OFF prompt system tone (long press).
- ② LIGHT: Switching backlight modes.
- ③ TWS: Connect an additional speaker (Bluetooth mode only).
- ④ EQ: Sound Effect mode (short press);
Reset (long press)
- ⑤  : Switch playback mode (ALL, ONE, RANDOM):
ONE – Repeats the current track;
RAND – Play tracks in the random order;
ALL – Plays all tracks in the sequential order.
- ⑥  : Previous track (short press in Player mode);
Navigation on the track (long press in Player mode).
- ⑦  : Play/Pause button (in Player mode);
Mute (short press).
- ⑧  : Next track (short press in Player mode);
Navigation on the track (long press in Player mode).
- ⑨ Power ON/OFF.
- ⑩ VOLUME+/-: Volume control.
- ⑪ Charging DC 5V.



- ⑫ Indicator.
- ⑬ USB port.
- ⑭ ECHO +/-: Microphone echo adjustment.
- ⑮ TF CARD: Micro SD card slot.
- ⑯ AUX: 3.5 mm mini-jack for audio signal connecting (phone, MP3 player, etc.).
- ⑰ MIC VOL +/-: Microphone volume control.
- ⑱ MIC: 6.3 mm jack microphone jack.

5. CONNECTION AND OPERATION

Charging the battery

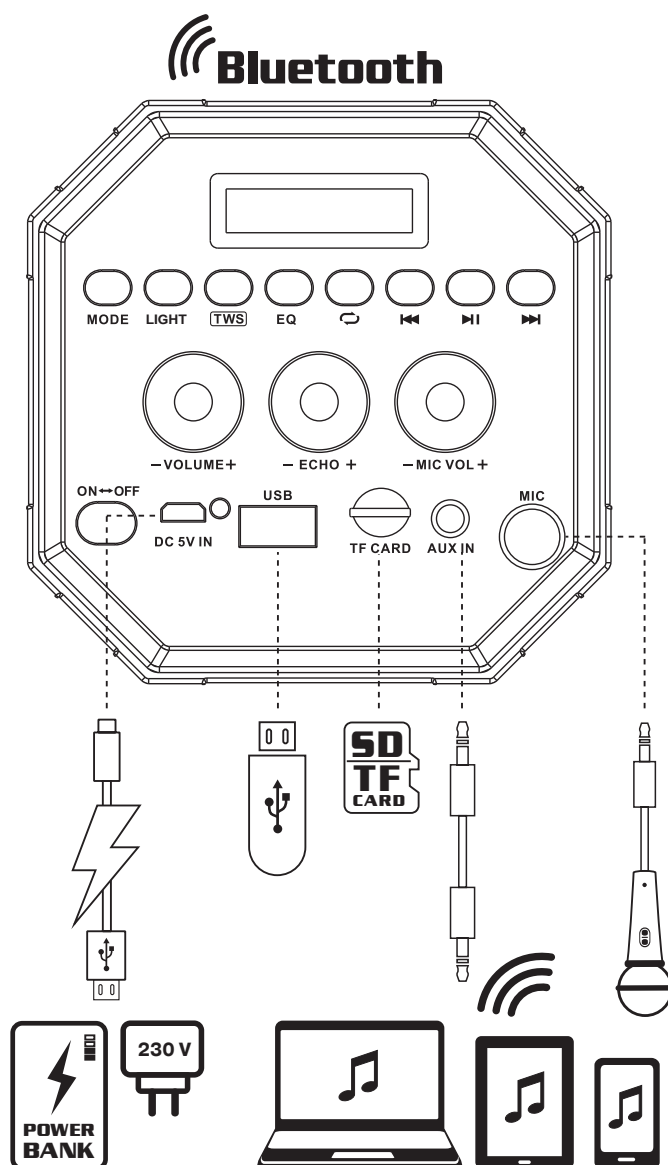
- Before operation, fully recharge the battery. The charger is not included. Charge this device with a DC 5V universal charger with output current 2 A.
- Insert the charging cable into the charger connector, connect the other end to the charger, the charging indicator will be activated. The red charging indicators will light up until in full charge.

It is not recommended to leave the device for a long time connected to the charger after it is fully charged.

Do not charge the speaker at low ambient temperatures. The minimum charge temperature is at least 10 °C.

Bluetooth mode

- Turn the unit into Bluetooth mode with the «MODE» button repeatedly until «BT» appears on the display. After 2-3 seconds the device will go into search mode.
- Select a Bluetooth device search mode on the audio source (mobile phone, tablet, etc.). The display will show the name «REAL-EL X-751» which need to establish a connection. After a successful connection, the loudspeaker will sound a signal.



TWS mode (simultaneous connection of two systems in stereo mode)

- Connection is possible only in Bluetooth mode;
- Turn both speakers (main and auxiliary) into Bluetooth mode;
- On the auxiliary speaker (which should be connected), press and hold the TWS button;
- When two speakers are successfully connected, TWS mode will be activated;
- Connect a Bluetooth signal source;
- To disconnect the TWS connection, press and hold the TWS button;
- When switching to another mode on the main speaker during an active TWS connection, the signal transmission stops and the secondary speaker disconnect and enters the Bluetooth search mode;
- When switching to another mode on the auxiliary speaker during an active TWS connection, the signal transmission remains on the main speaker and the auxiliary speaker switches to the selected mode.

KARAOKE mode

To start using, connect the microphone to the connector [Ⓐ], adjust the volume level. The karaoke mode is activated automatically with any audio sources.

Use a dynamic microphone with a 6.3 mm (1/4 ") TS plug as the karaoke microphone.

Playback mode

- Insert a SD card or USB flash drive into the corresponding slot, the audio track will be played automatically. In the playback mode, briefly press the "◀◀" or "▶▶" button to select the desired tracks.
- Press the "▶" button to play or pause.

Note: During Bluetooth playback mode, if you insert a SD card or USB, Bluetooth will be turned off and USB or SD card will play. Press the «MODE» button to return to Bluetooth mode again.

AUX mode

- For compatible music devices, use an audio cable with the 3.5 mm mini jack supplied in the box. Connect the cable to the audio input of the AUX and to any audio source with a 3.5 mm mini jack the screen will display LINE automatically. Or you can choose this by «MODE» button.

Note: You must turn off the power button "OFF / ON." If the system is not used for a long time.

6. SPECIFICATION

Parameter	Value
Output power (RMS)	36 (2 x 18) W
Frequency range	80-22 000 Hz
Dimension of the speaker drivers	2 x Ø 40 + 2 x Ø 102 mm
Supported Bluetooth Profiles	HSP, HFP, A2DP, AVRCP
Connection types	Bluetooth / AUX / USB / Micro SD
Power supply	micro USB / 5 V DC, 2 A
Battery	lithium-ion battery, total capacity of battery elements 4000 mAh, @3.7 V
Bluetooth operation distance	up to 10 m
Case material	ABS plastic
Dimensions of the product	460 × 210 × 195 mm
Weight	3.15 kg

Notes:

- *Technical specifications given in this table are supplemental information and cannot give occasion to claims.*
- *Technical specifications and package contents are subject to change without notice due to the improvement of REAL-EL production.*



Manufacturer: ENEL GROUP OU, Harju maakond, Rae vald, Jüri alevik, Aruküla tee 55a, 75301, Estonia.
® Registered Trademark of ENEL GROUP OU. Estonia.